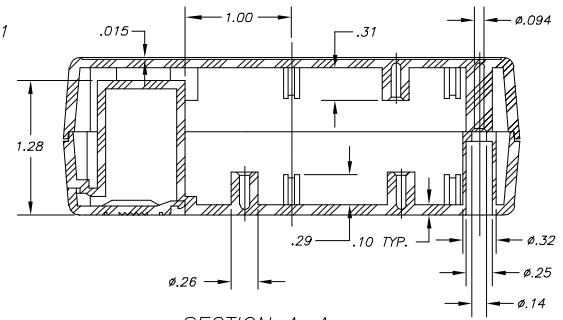
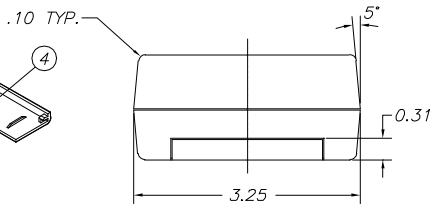
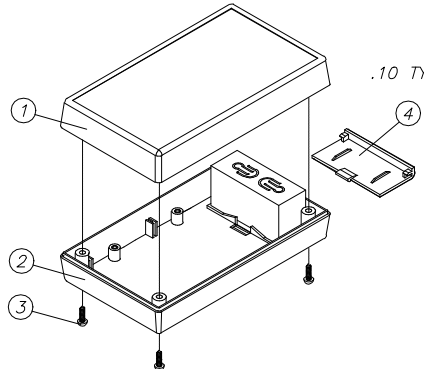
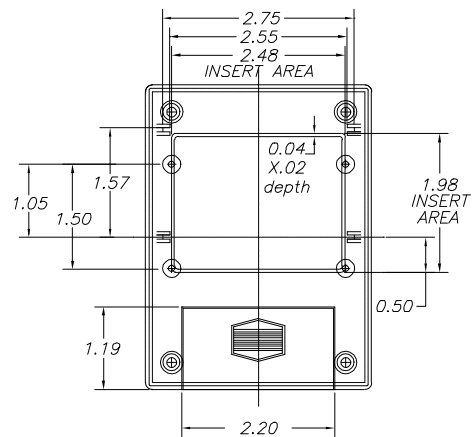
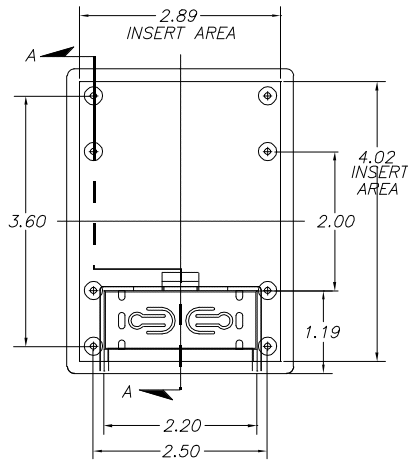
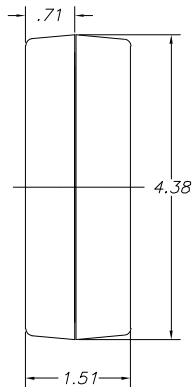


**NOTES:**  
**1. WHEN MACHINE OR I PLATES MODIFICATIONS ARE REQUIRED, USE THE CENTER OF THE BOX TO DIMENSION.**



10-05-98 ALL DIMENSIONS ± .010

ITEM	PART NO.	DESCRIPTION	ACCESSORIES	
			PART NO.	DESCRIPTION
1	311	PLASTIC TOP	50	FEET
2	23	PLASTIC BOTTOM	339	PROTOTYPE GRID BOARD (HORIZ.)
3	1025	PLASTIC BATTERY COVER	439	PROTOTYPE CLAD BOARD (HORIZ.)
4	6005	SCREWS (4)	331	PROTOTYPE GRID BOARD (VERT.)
			431	PROTOTYPE CLAD BOARD (VERT.)
			PC	POCKET CLIP